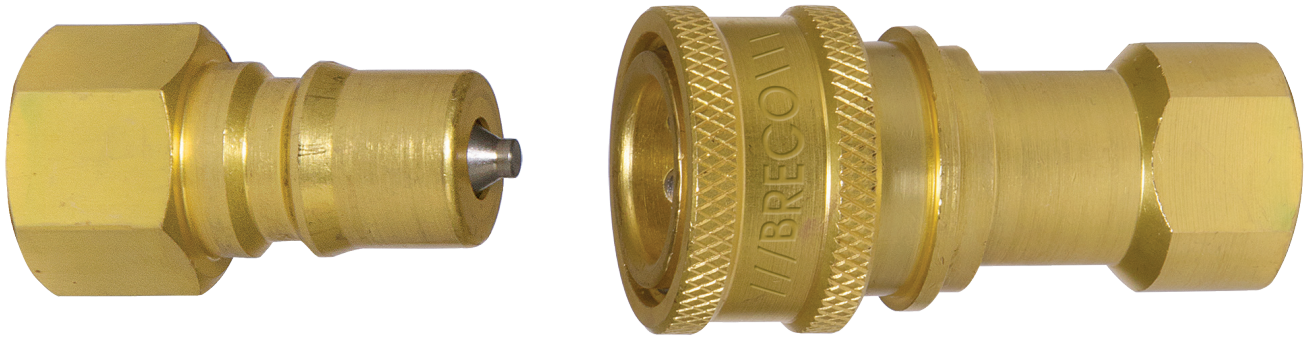




ISO B-PLUG AND SOCKET

LONG LASTING | DESIGNED FOR WATER-BASED HYDRAULIC APPLICATIONS



CARPET CLEANING – CAR WASH – PRESSURE WASH

- Use on Truck Mounted or Portable Units
- Long Lasting Valve Assembly
- Competitive, Value-Based Pricing
- Stainless Valves and EPDM Seals Standard
- Experienced Customer Support Team



Custom Colors Available

FOSTER-MFG.COM | 866-918-3003

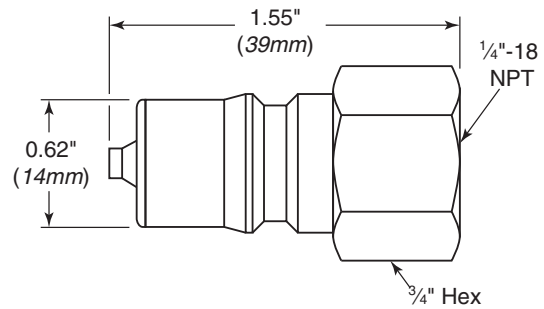
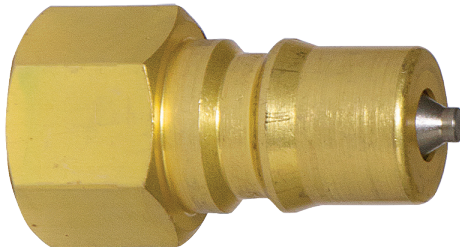
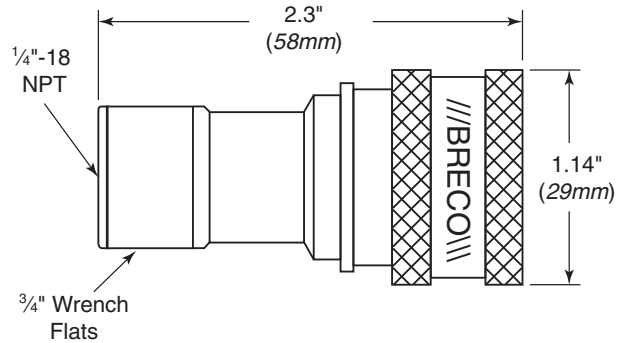
Foster is part of the Ideal Tridon Group. Learn more at idealtridongroup.com





ISO B-PLUG AND SOCKET

LONG LASTING | DESIGNED FOR WATER-BASED HYDRAULIC APPLICATIONS



Maximum PSI: 2700 psi (186 bar)

Vaccum: 27" Hg

Seal Material: EPDM

Temperature Range:

-40° to 300°F (-40° to 150°C)

Features: Stainless Steel Internals

Air Flow (CFM) at 100psig:

32 @ 10psig drop

22 @ 5psig drip

Air Flow (CFM) at 80psig:

29 @ 10psig drop

20 @ 5psig drip

Part No.	Description	Color	Size	Thread	Material
2DSF2-BI	Socket	Brass	1/4"	FPT	Brass/SS
2DSF2-BI-MLD		Black			
2DSF2-BI-MLDBLUE		Blue			
2DSF2-BI-MLDYELLOW		Yellow			
DS2F2-BI	Plug	Brass	1/4"	FPT	Brass/SS



Custom Colors Available